



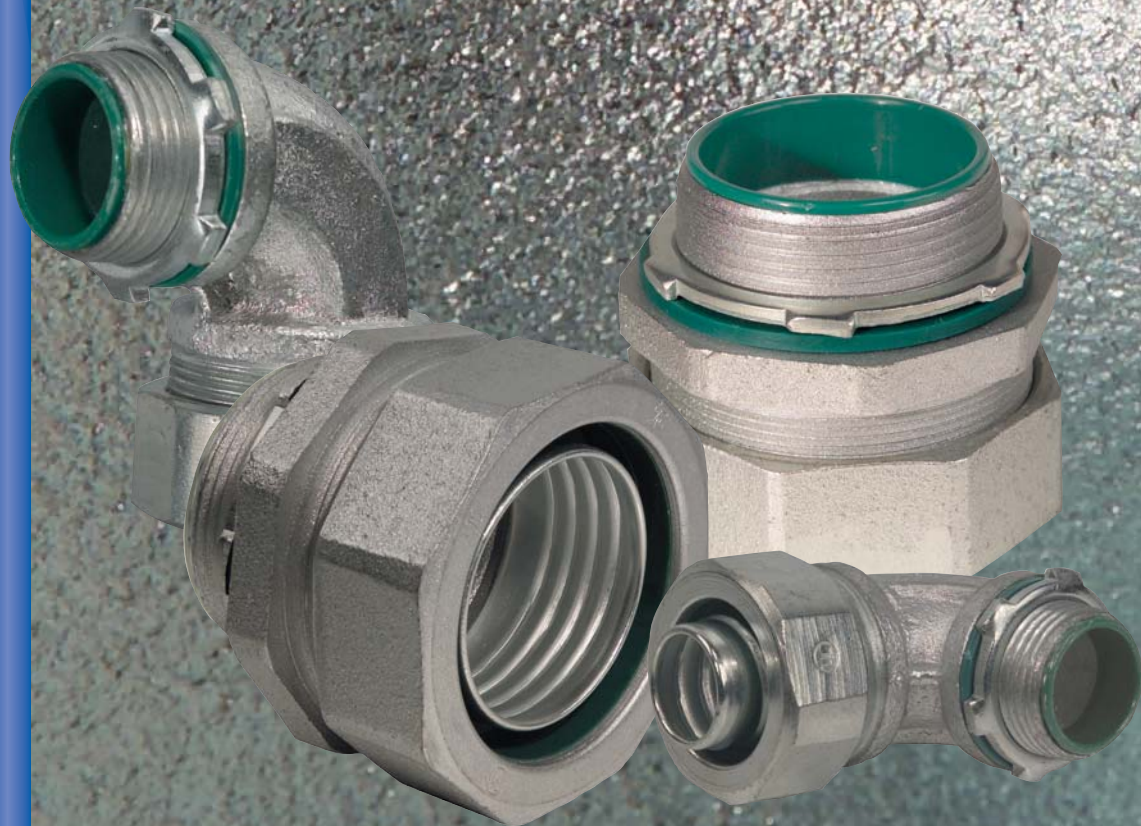
ELECOR™

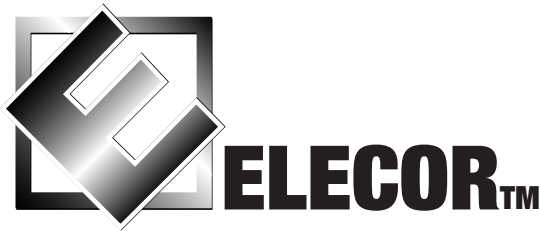
- *Compact, slim diameter design*
- *Long ferrule prevents conduit pull out*
- *Furnished exclusively with insulated throat*



Malleable Iron Liquid Tight Connectors Catalog

**STRAIGHT,
45° AND 90°**





Straight Liquid Tight Connectors Compression Type Insulated Throat



QM2122

Applications

- For use in outdoor or indoor locations with flexible metallic liquid tight conduit and type B flexible non-metallic liquid tight conduit.
- Elecor liquid tight connectors are suitable for use in the following hazardous locations under NEC 501-4(b) 502-4(a)(2); Class I, Div. 2; Class II, Div. 1 and 2; and Class III, Div. 1 and 2.

Features

- All malleable construction ensures mechanical protection for the raceway.
- Liquid tight/rain tight/oil tight.
- Compact, slim diameter.
- Long ferrule prevents pullout & tight bend conduit pop out.
- Suitable for wet locations.
- All connectors furnished with insulated throat.

Material / Finish

Malleable iron/Zinc electro-plated

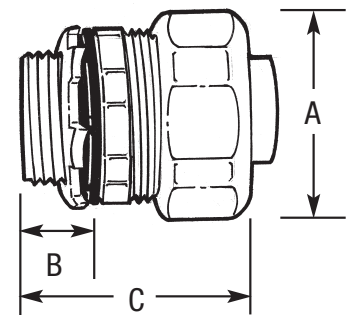
Compliances

cULus listed

Standards

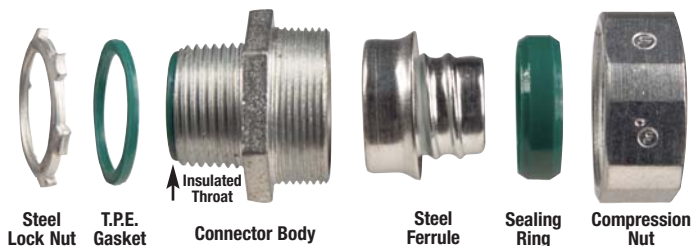
UL Standard: 514B
Nema: FB-1
Federal Spec: W-F-408E

CATALOG NUMBER	UPC/DCI/NAED #*	TRADE SIZE	CTN. QTY.	CASE QTY.	WEIGHT PER C	CASE WT.
QM2120	00385	3/8"	50	200	13	26.0
QM2121	00386	1/2"	50	200	15	30.0
QM2122	00387	3/4"	25	100	23	23.0
QM2123	00388	1"	10	10	31	3.1
QM2124	00389	1 1/4"	10	10	60	6.0
QM2125	00390	1 1/2"	5	5	71	3.6
QM2126	00391	2"	5	5	108	5.4
QM2127	00392	2 1/2"	1	1	231	2.3
QM2128	00393	3"	1	1	360	3.6
QM2129	00394	3 1/2"	1	1	440	4.4
QM2130	00395	4"	1	1	550	5.5



DIMENSIONS

CATALOG NUMBER	TRADE SIZE	KO SIZE	DIM. A	DIM. B	DIM. C
QM2120	3/8"	1/2"	1.09	0.55	1.42
QM2121	1/2"	1/2"	1.22	0.55	1.46
QM2122	3/4"	3/4"	1.46	0.59	1.68
QM2123	1"	1"	1.71	0.64	1.87
QM2124	1 1/4"	1 1/4"	2.20	0.66	1.91
QM2125	1 1/2"	1 1/2"	2.40	0.72	2.12
QM2126	2"	2"	2.91	0.74	2.22
QM2127	2 1/2"	2 1/2"	3.66	1.02	3.01
QM2128	3"	3"	4.40	1.06	3.24
QM2129	3 1/2"	3 1/2"	4.96	1.10	3.34
QM2130	4"	4"	5.55	1.14	3.66



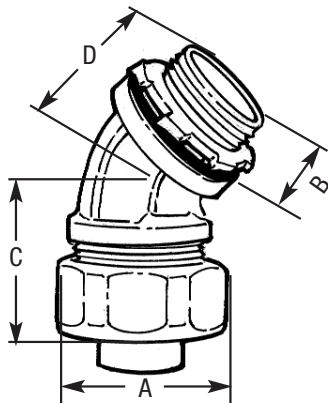
*Add the prefix 870263 to any Elecor UPC/DCI/NAED # to obtain the 11 digit Elecor UPC no.

45° Liquid Tight Connectors Compression Type Insulated Throat



QM2422

CATALOG NUMBER	UPC/DCI/NAED #*	TRADE SIZE	CTN. QTY.	CASE QTY.	WEIGHT PER C	CASE WT.
QM2420	00501	3/8"	25	25	20	5.0
QM2421	00502	1/2"	25	25	22	5.5
QM2422	00503	3/4"	25	25	32	8.0
QM2423	00504	1"	10	10	59	5.9
QM2424	00505	1 1/4"	10	10	97	9.7
QM2425	00506	1 1/2"	5	5	116	5.8
QM2426	00507	2"	5	5	174	8.7
QM2427	00508	2 1/2"	1	1	459	4.6
QM2428	00509	3"	1	1	551	5.5
QM2429	00510	3 1/2"	1	1	833	8.3
QM2430	00511	4"	1	1	1036	10.4



DIMENSIONS

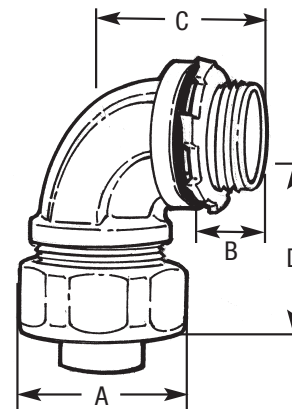
CATALOG NUMBER	TRADE SIZE	KO SIZE	DIM. A	DIM. B	DIM. C	DIM. D
QM2420	3/8"	1/2"	1.09	0.55	1.22	0.98
QM2421	1/2"	1/2"	1.22	0.55	1.24	1.06
QM2422	3/4"	3/4"	1.46	0.59	1.26	1.10
QM2423	1"	1"	1.71	0.64	1.48	1.34
QM2424	1 1/4"	1 1/4"	2.20	0.66	1.77	1.44
QM2425	1 1/2"	1 1/2"	2.40	0.72	1.95	1.57
QM2426	2"	2"	2.91	0.74	2.24	1.69
QM2427	2 1/2"	2 1/2"	3.66	1.02	3.50	2.76
QM2428	3"	3"	4.40	1.06	3.56	2.87
QM2429	3 1/2"	3 1/2"	4.96	1.10	3.73	2.95
QM2430	4"	4"	5.55	1.14	3.89	3.07

90° Liquid Tight Connectors Compression Type Insulated Throat



QM2522

CATALOG NUMBER	UPC/DCI/NAED #*	TRADE SIZE	CTN. QTY.	CASE QTY.	WEIGHT PER C	CASE WT.
QM2520	00407	3/8"	25	100	20	20.0
QM2521	00408	1/2"	25	100	26	26.0
QM2522	00409	3/4"	25	100	44	44.0
QM2523	00410	1"	10	10	67	6.7
QM2524	00411	1 1/4"	10	10	105	10.5
QM2525	00412	1 1/2"	5	5	134	6.7
QM2526	00413	2"	5	5	211	10.6
QM2527	00414	2 1/2"	1	1	557	5.6
QM2528	00415	3"	1	1	820	8.2
QM2529	00416	3 1/2"	1	1	947	9.5
QM2530	00417	4"	1	1	1212	12.1



DIMENSIONS

CATALOG NUMBER	TRADE SIZE	KO SIZE	DIM. A	DIM. B	DIM. C	DIM. D
QM2520	3/8"	1/2"	1.09	0.55	1.14	1.30
QM2521	1/2"	1/2"	1.22	0.55	1.18	1.42
QM2522	3/4"	3/4"	1.46	0.59	1.42	1.54
QM2523	1"	1"	1.71	0.64	1.65	1.85
QM2524	1 1/4"	1 1/4"	2.20	0.66	1.69	1.97
QM2525	1 1/2"	1 1/2"	2.40	0.72	1.89	2.24
QM2526	2"	2"	2.91	0.74	2.04	2.64
QM2527	2 1/2"	2 1/2"	3.66	1.02	3.54	4.33
QM2528	3"	3"	4.40	1.06	3.82	4.53
QM2529	3 1/2"	3 1/2"	4.96	1.10	4.13	4.57
QM2530	4"	4"	5.55	1.14	4.22	4.61

*Add the prefix 870263 to any Elecor UPC/DCI/NAED # to obtain the 11 digit Elecor UPC no.